

TOSHIBA

Product Guide 2023

Microwave Semiconductors

MICROWAVE
SEMICONDUCTORS



MICROWAVE SEMICONDUCTORS

CONTENTS

Output Power vs. Frequency Map

C-band Internally Matched Power GaAs FETs/GaN HEMTs4

X and Ku-band Internally Matched Power GaAs FETs/GaN HEMTs5

Specifications Table

GaN HEMTs

- C, X and Ku-band Internally Matched Power GaN HEMTs..... 6, 7

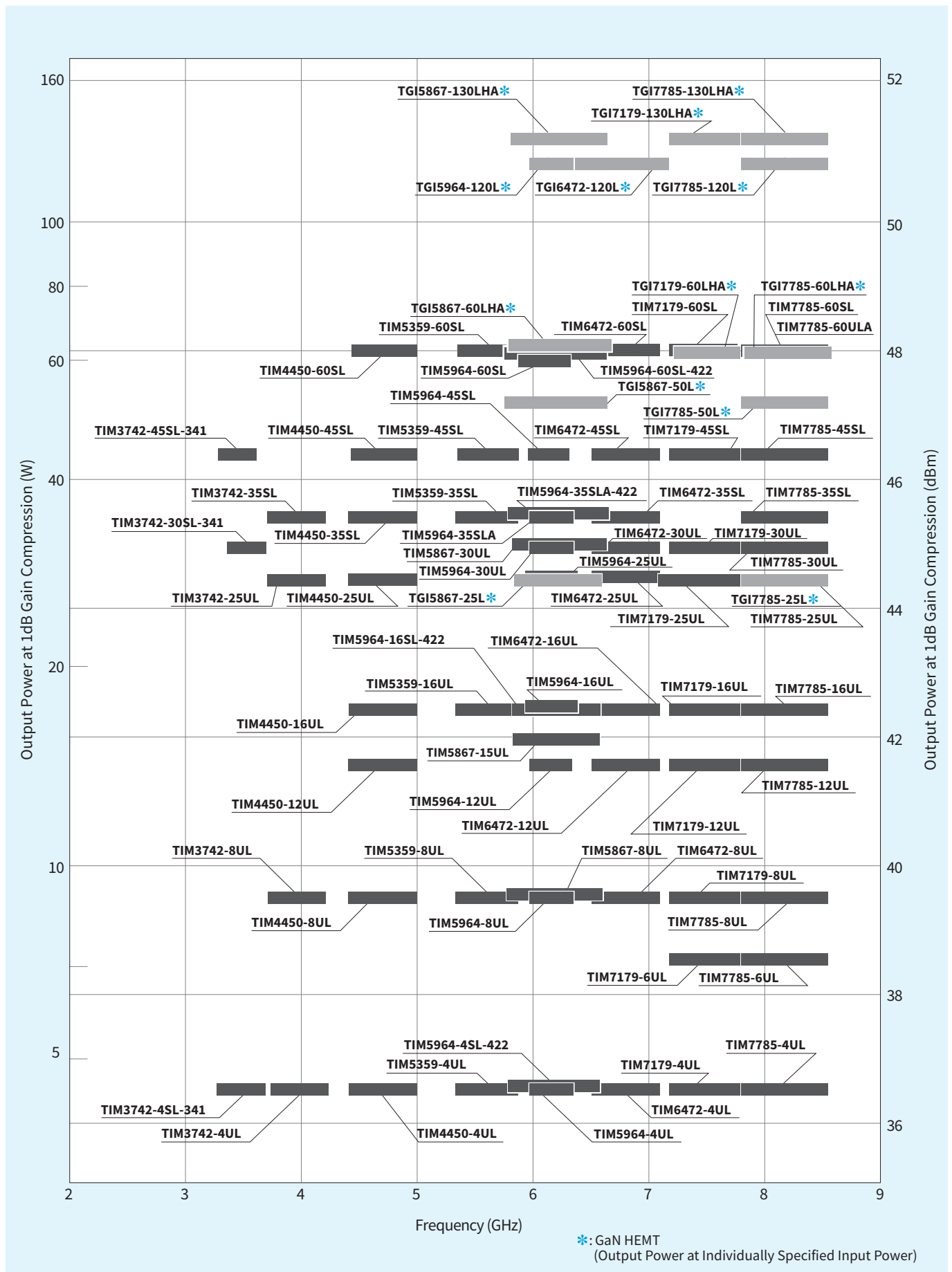
GaAs FETs

- C-band Internally Matched Power GaAs FETs 8, 9, 10, 11
- X and Ku-band Internally Matched Power GaAs FETs.....12, 13, 14, 15

Package Code and Outlines16, 17,18

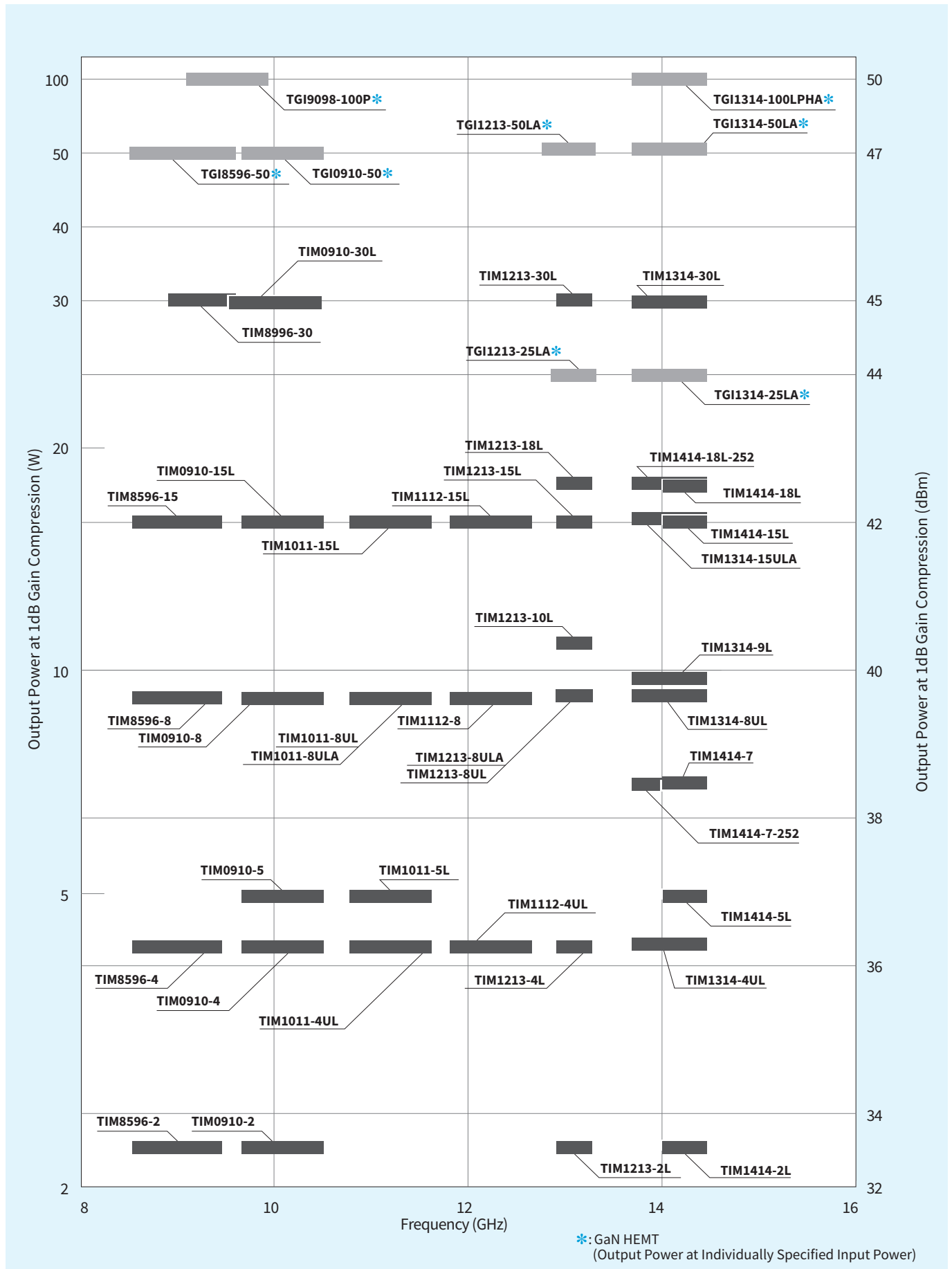
Output Power vs. Frequency Map

C-band Internally Matched Power GaAs FETs/GaN HEMTs Pout vs. Frequency Map



X and Ku-band Internally Matched Power GaAs FETs/GaN HEMTs

Pout vs. Frequency Map



GaN HEMTs

C-band Internally Matched Power GaN HEMTs

(Ta = 25 °C)

FREQUENCY BAND (GHz)	MODEL No.	BIAS CONDITIONS		RF PERFORMANCE SPECIFICATIONS										ABSOLUTE MAXIMUM RATINGS					ELECTRICAL CHARACTERISTICS (TYP.)			PACKAGE CODE				
		V _{DS} (V)	I _{DS} Set (A)	P _{out} (dBm)		I _{DS} (A)		η _{add} (%)	@P _{in} (dBm)	G _L (dB)		ΔG ^{**} (dB)	@P _{in} (dBm)	IM ₃ (dBc)		P _o @single carrier level (dBm)	ΔTch* (°C)	V _{DS} (V)	V _{GS} (V)	I _{DS} (A)	P _T (W) (Tc=25°C)		Tch (°C)	R _{th(C-C)} MAX./TYP. (°C/W)	V _{Gsoff} (V)	I _{DS} (mA) @V _{DS} = 5 V
				MIN.	TYP.	TYP.	MAX.			TYP.	MIN.			TYP.	MAX.											
5.85-6.75	TGI5867-25L	24	1.75	44.0	44.5	2.7	3.2	39	35.0	12.5	13.5	±0.8	20.0	-40	-42	29.0	150	50	-10	7.5	70	250	3.2/2.8	-4.0	12	7-AA04A
	TGI5867-50L	24	3.0	46.0	47.0	5.4	6.3	33	40.0	12.5	13.5	±0.8	20.0	-40	-42	32.0	150	50	-10	15.0	140	250	1.6/1.4	-4.0	23	7-AA04A
	TGI5867-60LHA	40	0.4	47.0	48.0	3.5	4.5	38	40.0	11.5	12.5	±0.8	20.0	-25	-30	41.0	140***	50	-10	6.0	111	225	1.8/1.6	-3.0	15	7-AA04A
	TGI5867-130LHA	40	0.8	50.0	51.0	7.0	9.0	38	43.0	11.5	12.5	±0.8	20.0	-25	-30	44.0	140***	50	-10	12.0	200	225	1.0/0.8	-3.0	30	7-AA06A
5.9-6.4	TGI5964-120L	24	4.0	50.0	51.0	10.0	12.0	42	43.0	12.5	13.5	±0.8	20.0	-25	-30	44.0	140	50	-10	18.0	280	250	0.8/0.6	-4.0	46	7-AA06A
6.4-7.2	TGI6472-120L	24	4.0	50.0	51.0	11.0	12.0	38	44.0	10.5	11.5	±0.8	20.0	-25	-28	44.0	140	50	-10	18.0	280	250	0.8/0.6	-4.0	46	7-AA06A
7.1-7.9	TGI7179-60LHA	40	0.4	47.0	48.0	3.5	4.5	37	40.5	11.0	12.0	±0.8	20.0	-25	-30	41.0	140***	50	-10	6.0	111	225	1.8/1.6	-3.0	15	7-AA04A
	TGI7179-130LHA	40	0.8	50.0	51.0	7.0	9.0	36	43.5	11.0	12.0	±0.8	20.0	-25	-30	44.0	140***	50	-10	12.0	200	225	1.0/0.8	-3.0	30	7-AA06A
7.7-8.5	TGI7785-25L	24	1.75	44.0	44.5	2.7	3.2	39	35.0	11.0	12.0	±0.8	20.0	-40	-42	29.0	150	50	-10	7.5	70	250	3.2/2.8	-4.0	12	7-AA04A
	TGI7785-50L	24	3.0	46.0	47.0	5.0	6.3	33	40.0	10.0	11.0	±0.8	20.0	-40	-	32.0	150	50	-10	15.0	140	250	1.6/1.4	-4.0	23	7-AA04A
	TGI7785-60LHA	40	0.4	47.0	48.0	4.0	4.5	32	41.0	10.5	11.5	±0.8	20.0	-25	-30	41.0	140***	50	-10	6.0	111	225	1.8/1.6	-3.0	15	7-AA04A
	TGI7785-120L	24	4.0	50.0	51.0	10.0	12.0	42	44.0	10.0	11.0	±0.8	20.0	-25	-30	44.0	140	50	-10	18.0	280	250	0.8/0.6	-4.0	46	7-AA06A
	TGI7785-130LHA	40	0.8	50.0	51.0	7.0	9.0	36	44.0	10.5	11.5	±0.8	20.0	-25	-30	44.0	140***	50	-10	12.0	200	225	1.0/0.8	-3.0	30	7-AA06A

*: ΔTch = Channel Temperature Rise, Formula: ΔTch = (V_{DS} × I_{DS} + P_{in} - P_{out}) × R_{th(C-C)} ** : Gain Flatness
 *** : ΔTch is calculated using the same condition as IM₃ test

X-band Internally Matched Power GaN HEMTs

(Ta = 25 °C)

FREQUENCY BAND (GHz)	MODEL No.	BIAS CONDITIONS		RF PERFORMANCE SPECIFICATIONS										ABSOLUTE MAXIMUM RATINGS					ELECTRICAL CHARACTERISTICS (TYP.)			PACKAGE CODE
		V _{DS} (V)	I _{DS} Set (A)	P _{out} (dBm)		I _{DS} (A)		η _{add} (%)	@P _{in} (dBm)	G _L (dB)		ΔTch* (°C)	V _{DS} (V)	V _{GS} (V)	I _{DS} (A)	P _T (W) (Tc=25°C)	Tch (°C)	R _{th(C-C)} MAX./TYP. (°C/W)	V _{Gsoff} (V)	I _{DS} (mA) @V _{DS} = 5 V		
				MIN.	TYP.	TYP.	MAX.			TYP.	MIN.										TYP.	
8.5-9.6	TGI8596-50	24	1.5	46.0	47.0	5.0	6.0	31	41.0	7.0	9.0	20.0	150	50	-10	15.0	140	250	1.6/1.4	-4.0	23	7-AA04A
9.0-9.8	TGI9098-100P ☆	24	6.0	49.0	50.0	10.0	13.0	40	42.0	-	12.0	35.0	-	50	-10	22.5	280	250	-/0.8	-4.0	46	7-AA03B
9.5-10.5	TGI0910-50	24	1.5	46.0	47.0	5.0	6.0	31	41.0	7.0	9.0	20.0	150	50	-10	15.0	140	250	1.6/1.4	-4.0	23	7-AA04A

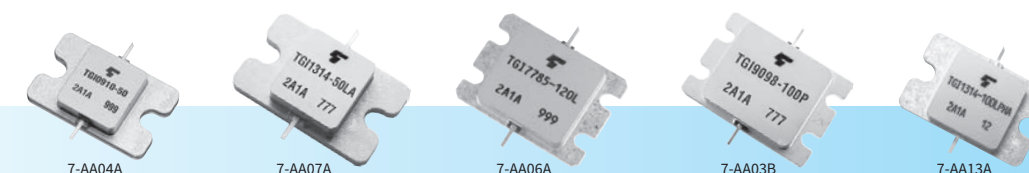
*: ΔTch = Channel Temperature Rise, Formula: ΔTch = (V_{DS} × I_{DS} + P_{in} - P_{out}) × R_{th(C-C)} ☆: PULSE OPERATION (PULSE WIDTH: 100μs Duty:10%)

Ku-band Internally Matched Power GaN HEMTs

(Ta = 25 °C)

FREQUENCY BAND (GHz)	MODEL No.	BIAS CONDITIONS		RF PERFORMANCE SPECIFICATIONS										ABSOLUTE MAXIMUM RATINGS					ELECTRICAL CHARACTERISTICS (TYP.)			PACKAGE CODE				
		V _{DS} (V)	I _{DS} Set (A)	P _{out} (dBm)		I _{DS} (A)		η _{add} (%)	@P _{in} (dBm)	G _L (dB)		ΔG ^{**} (dB)	@P _{in} (dBm)	IM ₃ (dBc)		P _o @single carrier level (dBm)	ΔTch* (°C)	V _{DS} (V)	V _{GS} (V)	I _{DS} (A)	P _T (W) (Tc=25°C)		Tch (°C)	R _{th(C-C)} MAX./TYP. (°C/W)	V _{Gsoff} (V)	I _{DS} (mA) @V _{DS} = 5 V
				MIN.	TYP.	TYP.	MAX.			TYP.	MIN.			TYP.	MAX.											
12.7-13.2	TGI1213-25LA	24	1.0	43.0	44.0	2.5	3.0	29	39.0	7.0	8.0	±0.8	20.0	-25	-	37.0	140	50	-10	7.5	70	250	3.2/2.8	-4.0	11.5	7-AA07A
	TGI1213-50LA	24	2.0	46.0	47.0	5.0	6.0	29	42.0	7.0	8.0	±0.8	20.0	-25	-	40.0	160	50	-10	15.0	140	250	1.6/1.4	-4.0	23	7-AA07A
13.75-14.5	TGI1314-25LA	24	1.0	43.0	44.0	2.5	3.0	29	39.0	7.0	8.0	±0.8	20.0	-25	-	37.0	140	50	-10	7.5	70	250	3.2/2.8	-4.0	11.5	7-AA07A
	TGI1314-50LA	24	2.0	46.0	47.0	5.0	6.0	29	42.0	7.0	8.0	±0.8	20.0	-25	-	40.0	160	50	-10	15.0	140	250	1.6/1.4	-4.0	23	7-AA07A
	TGI1314-100LPHA ☆	40	0.8	50.0	51.0	7.5	9.5	33	44.0	10.0	11.0	±0.8	20.0	-25	-	43.0	160	50	-10	12.0	182	225	1.1/0.9	-3.0	30	7-AA13A

*: ΔTch = Channel Temperature Rise, Formula: ΔTch = (V_{DS} × I_{DS} + P_{in} - P_{out}) × R_{th(C-C)} ** : Gain Flatness ☆: PULSE OPERATION (PULSE WIDTH: 100μs Duty:10%)

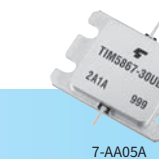
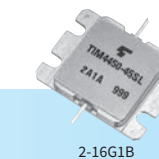
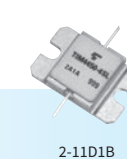


C-band Internally Matched Power GaAs FETs (1/2)

(Ta = 25 °C)

FREQUENCY BAND (GHz)	MODEL No.	BIAS CONDITIONS		RF PERFORMANCE SPECIFICATIONS										ABSOLUTE MAXIMUM RATINGS					ELECTRICAL CHARACTERISTICS (TYP.)			PACKAGE CODE				
		V _{DS} (V)	I _{DS} Set (A)	P _{1dB} (dBm)		G _{1dB} (dB)		I _{DS} (A)		ΔG*** (dB)	η _{add} (%)	IM ₃ (dBc)		ΔTch* (°C)	V _{DS} (V)	V _{GS} (V)	I _{DS} (A)	P _T (W) (Tc = 25 °C)	Tch (°C)	R _{th(C-C)} MAX./TYP. (°C/W)	V _{GSOFF} (V)		I _{DS} (mA) @V _{DS} = 3 V			
				MIN.	TYP.	MIN.	TYP.	TYP.	MAX.	MAX.	TYP.	MIN.	TYP.	P ₀ @single carrier level (dBm)										MAX.		
3.3-3.6	TIM3742-4SL-341	10	1.1	35.5	36.5	10.0	11.0	1.1	1.3	±0.6	37			-42	-45	25.5	80	15	-5	3.5	23.1	175	6.5/4.5	-2.5	15	2-11D1B
	TIM3742-30SL-341	10	7.0	44.0	45.0	10.0	11.0	7.0	8.0	±0.8	42			-42	-45	34.5	100	15	-5	20.0	115.4	175	1.3/1.0	-2.5	100	2-16G1B
	TIM3742-45SL-341	10	9.0	46.0	46.5	10.0	11.0	9.6	10.8	±0.8	43			-42	-45	35.5	100	15	-5	20.0	125.0	175	1.2/0.8	-2.5	170	2-16G1B
3.7-4.2	TIM3742-4UL	10	0.9	35.5	36.5	11.0	12.0	1.1	1.3	±0.6	38			-44	-47	25.5	80	15	-5	3.5	25.0	175	6.0/4.5	-2.5	15	2-11D1B
	TIM3742-8UL	10	1.8	38.5	39.5	10.0	11.0	2.2	2.6	±0.6	37			-44	-47	28.5	80	15	-5	7.0	42.9	175	3.5/2.5	-2.5	30	2-11D1B
	TIM3742-25UL	10	5.2	43.5	44.5	9.5	10.5	6.8	7.6	±0.6	38			-44	-47	33.5	80	15	-5	20.0	100.0	175	1.5/1.2	-2.5	80	2-16G1B
	TIM3742-35SL	10	8.0	45.0	45.5	9.0	10.0	8.0	9.0	±0.8	40			-42	-45	35.0	100	15	-5	20.0	115.4	175	1.3/1.0	-2.5	140	2-16G1B
4.4-5.0	TIM4450-4UL	10	0.9	35.5	36.5	10.0	11.0	1.1	1.3	±0.6	37			-44	-47	25.5	80	15	-5	3.5	25.0	175	6.0/4.5	-2.5	15	2-11D1B
	TIM4450-8UL	10	1.8	38.5	39.5	9.5	10.5	2.2	2.6	±0.6	37			-44	-47	28.5	80	15	-5	7.0	42.9	175	3.5/2.5	-2.5	30	2-11D1B
	TIM4450-12UL	10	2.6	40.5	41.5	9.5	10.5	3.2	3.8	±0.6	40			-44	-47	30.5	80	15	-5	10.0	62.5	175	2.4/2.0	-2.5	40	2-16G1B
	TIM4450-16UL	10	3.6	41.5	42.5	9.0	10.0	4.4	5.0	±0.6	36			-44	-47	31.5	80	15	-5	14.0	83.3	175	1.8/1.5	-2.5	60	2-16G1B
	TIM4450-25UL	10	5.2	43.5	44.5	9.0	10.0	6.8	7.6	±0.6	37			-44	-47	33.5	80	15	-5	20.0	100.0	175	1.5/1.2	-2.5	80	2-16G1B
	TIM4450-35SL	10	8.0	45.0	45.5	8.5	9.5	8.0	9.0	±0.8	39			-42	-45	35.0	100	15	-5	20.0	115.4	175	1.3/1.0	-2.5	140	2-16G1B
	TIM4450-45SL	10	9.0	46.0	46.5	8.5	9.5	9.6	10.8	±0.8	41			-42	-45	35.5	100	15	-5	20.0	125.0	175	1.2/0.8	-2.5	170	2-16G1B
	TIM4450-60SL	10	9.5	47.0	48.0	8.5	9.5	13.2	15.0	±0.8	42			-42	-45	36.5	100	15	-5	20.0	187.5	175	0.8/0.6	-1.8	200	2-16G1B
5.3-5.9	TIM5359-4UL	10	0.9	35.5	36.5	9.5	10.5	1.1	1.3	±0.6	37			-44	-47	25.5	80	15	-5	3.5	25.0	175	6.0/4.5	-2.5	15	2-11D1B
	TIM5359-8UL	10	1.8	38.5	39.5	9.0	10.0	2.2	2.6	±0.6	36			-44	-47	28.5	80	15	-5	7.0	42.9	175	3.5/2.5	-2.5	30	2-11D1B
	TIM5359-16UL	10	3.6	41.5	42.5	9.0	10.0	4.4	5.0	±0.6	36			-44	-47	31.5	80	15	-5	14.0	83.3	175	1.8/1.05	-2.5	60	2-16G1B
	TIM5359-35SL	10	8.0	45.0	45.5	7.5	8.5	8.0	9.0	±0.8	38			-42	-45	35.0	100	15	-5	20.0	115.4	175	1.3/1.0	-2.5	140	2-16G1B
	TIM5359-45SL	10	9.0	46.0	46.5	8.0	9.0	9.6	10.8	±0.8	41			-42	-45	35.5	100	15	-5	20.0	125.0	175	1.2/0.8	-2.5	170	2-16G1B
5.9-6.4	TIM5964-4UL	10	0.9	35.5	36.5	9.0	10.0	1.1	1.3	±0.6	37			-44	-47	25.5	80	15	-5	3.5	25.0	175	6.0/4.5	-2.5	15	2-11D1B
	TIM5964-8UL	10	1.8	38.5	39.5	9.0	10.0	2.2	2.6	±0.6	36			-44	-47	28.5	80	15	-5	7.0	42.9	175	3.5/2.5	-2.5	30	2-11D1B
	TIM5964-12UL	10	2.6	40.5	41.5	9.0	10.0	3.2	3.8	±0.6	40			-44	-47	30.5	80	15	-5	10.0	62.5	175	2.4/2.0	-2.5	40	2-16G1B
	TIM5964-16UL	10	3.6	41.5	42.5	9.0	10.0	4.4	5.0	±0.6	36			-44	-47	31.5	80	15	-5	14.0	83.3	175	1.8/1.5	-2.5	60	2-16G1B
	TIM5964-25UL	10	5.2	43.5	44.5	9.0	10.0	6.8	7.6	±0.6	37			-44	-47	33.5	80	15	-5	20.0	100.0	175	1.5/1.2	-2.5	80	2-16G1B
	TIM5964-30UL	10	6.4	44.0	45.0	9.0	10.0	7.0	8.0	±0.6	41			-44	-47	34.0	100	15	-5	18.0	100.0	175	1.5/1.0	-2.0	80	7-AA05A
	TIM5964-35SLA	10	8.0	45.0	45.5	8.0	9.0	8.0	9.0	±0.8	39			-42	-45	35.0	100	15	-5	20.0	115.4	175	1.3/1.0	-2.5	140	2-16G1B
	TIM5964-45SL	10	9.0	46.0	46.5	8.0	9.0	9.6	10.8	±0.8	41			-42	-45	35.5	100	15	-5	20.0	125.0	175	1.2/0.8	-2.5	170	2-16G1B
5.85-6.75	TIM5964-60SL	10	9.5	47.0	48.0	7.5	8.5	13.2	15.0	±0.8	41			-42	-45	36.5	100	15	-5	20.0	187.5	175	0.8/0.6	-1.8	200	2-16G1B
	TIM5964-4SL-422	10	1.1	35.5	36.5	8.0	9.0	1.1	1.3	±0.6	35			-42	-45	25.5	80	15	-5	3.5	23.1	175	6.5/4.5	-2.5	15	2-11D1B
	TIM5867-8UL	10	1.8	38.5	39.5	9.0	10.0	2.2	2.6	±0.8	36			-44	-47	28.5	80	15	-5	7.0	42.9	175	3.5/2.5	-2.5	30	2-11D1B
	TIM5867-15UL	10	3.2	41.0	42.0	9.0	10.0	3.5	4.0	±0.8	41			-42	-47	31.0	80	15	-5	12.0	62.5	175	2.4/2.0	-2.0	40	2-16G1B
	TIM5964-16SL-422	10	4.4	41.5	42.5	8.0	9.0	4.4	5.0	±0.8	35			-42	-45	31.5	80	15	-5	14.0	75.0	175	2.0/1.5	-2.5	60	2-16G1B
	TIM5867-30UL	10	6.4	44.0	45.0	9.0	10.0	7.0	8.0	±0.8	41			-44	-47	34.0	100	15	-5	18.0	100.0	175	1.5/1.0	-2.0	80	7-AA05A
	TIM5964-35SLA-422	10	8.0	45.0	45.5	8.0	9.0	8.0	9.0	±0.8	39			-42	-45	35.0	100	15	-5	20.0	115.4	175	1.3/1.0	-2.5	140	2-16G1B
TIM5964-60SL-422	10	9.5	47.0	48.0	7.0	8.0	13.2	15.0	±0.8	40			-40	-45	36.5	100	15	-5	20.0	187.5	175	0.8/0.6	-1.8	200	2-16G1B	

* : ΔTch = Channel Temperature Rise, Formula: ΔTch = (V_{DS} × I_{DS} + P_{in} - P_{1dB}) × R_{th(C-C)}, *** : Gain Flatness



C-band Internally Matched Power GaAs FETs (2/2)

(Ta = 25 °C)

FREQUENCY BAND (GHz)	MODEL No.	BIAS CONDITIONS		RF PERFORMANCE SPECIFICATIONS										ABSOLUTE MAXIMUM RATINGS					ELECTRICAL CHARACTERISTICS (TYP.)			PACKAGE CODE			
		V _{DS} (V)	I _{DSset} (A)	P _{1dB} (dBm)		G _{1dB} (dB)		I _{DS} (A)		ΔG*** (dB)	η _{add} (%)	IM ₃ (dBc)		P _{o@single carrier level} (dBm)	ΔTch* (°C)	V _{DS} (V)	V _{GS} (V)	I _{DS} (A)	P _T (W) (Tc = 25 °C)	Tch (°C)	R _{th(C-C)} MAX./TYP. (°C/W)		V _{GSoff} (V)	I _{DS} (mA) @V _{DS} = 3 V	
				MIN.	TYP.	MIN.	TYP.	TYP.	MAX.	MAX.	TYP.	MIN.	TYP.												
6.4-7.2	TIM6472-4UL	10	0.9	35.5	36.5	8.5	9.5	1.1	1.3	±0.6	36		-44	-47	25.5	80	15	-5	3.5	25.0	175	6.0/4.5	-2.5	15	2-11D1B
	TIM6472-8UL	10	1.8	38.5	39.5	8.5	9.5	2.2	2.6	±0.6	36		-44	-47	28.5	80	15	-5	7.0	42.9	175	3.5/2.5	-2.5	30	2-11D1B
	TIM6472-12UL	10	2.6	40.5	41.5	8.5	9.5	3.2	3.8	±0.6	39		-44	-47	30.5	80	15	-5	10.0	62.5	175	2.4/2.0	-2.5	40	2-16G1B
	TIM6472-16UL	10	3.6	41.5	42.5	8.5	9.5	4.4	5.0	±0.6	36		-44	-47	31.5	80	15	-5	14.0	83.3	175	1.8/1.5	-2.5	60	2-16G1B
	TIM6472-25UL	10	5.2	43.5	44.5	8.5	9.5	6.8	7.6	±0.6	37		-44	-47	33.5	80	15	-5	20.0	100.0	175	1.5/1.2	-2.5	80	2-16G1B
	TIM6472-30UL	10	6.4	44.0	45.0	8.5	9.5	7.0	8.0	±0.6	40		-44	-47	34.0	100	15	-5	18.0	100.0	175	1.5/1.0	-2.0	80	7-AA05A
	TIM6472-35SL	10	8.0	45.0	45.5	7.0	8.0	8.0	9.0	±0.8	37		-42	-45	35.0	100	15	-5	20.0	115.4	175	1.3/1.0	-2.5	140	2-16G1B
	TIM6472-45SL	10	9.0	46.0	46.5	7.0	8.0	9.6	10.8	±0.8	37		-42	-45	35.5	100	15	-5	20.0	125.0	175	1.2/0.8	-2.5	170	2-16G1B
	TIM6472-60SL	10	9.5	47.0	48.0	6.5	7.5	13.2	15.0	±0.8	39		-42	-45	36.5	100	15	-5	20.0	187.5	175	0.8/0.6	-1.8	200	2-16G1B
7.1-7.9	TIM7179-4UL	10	0.9	35.5	36.5	8.0	9.0	1.1	1.3	±0.6	35		-44	-47	25.5	80	15	-5	3.5	25.0	175	6.0/4.5	-2.5	15	2-11D1B
	TIM7179-6UL	10	1.3	37.5	38.5	8.0	9.0	1.6	1.9	±0.6	39		-44	-47	27.5	80	15	-5	5.0	32.6	175	4.6/3.8	-2.5	20	2-11D1B
	TIM7179-8UL	10	1.8	38.5	39.5	8.0	9.0	2.2	2.6	±0.6	35		-44	-47	28.5	80	15	-5	7.0	42.9	175	3.5/2.5	-2.5	30	2-11D1B
	TIM7179-12UL	10	2.6	40.5	41.5	8.0	9.0	3.2	3.8	±0.6	39		-44	-47	30.5	80	15	-5	10.0	62.5	175	2.4/2.0	-2.5	40	2-16G1B
	TIM7179-16UL	10	3.6	41.5	42.5	7.5	8.5	4.4	5.0	±0.6	35		-44	-47	31.5	80	15	-5	14.0	83.3	175	1.8/1.5	-2.5	60	2-16G1B
	TIM7179-25UL	10	5.2	43.5	44.5	7.5	8.5	6.8	7.6	±0.6	36		-44	-47	33.5	80	15	-5	20.0	100.0	175	1.5/1.2	-2.5	80	2-16G1B
	TIM7179-30UL	10	6.4	44.0	45.0	7.5	8.5	7.0	8.0	±0.6	39		-44	-47	34.0	100	15	-5	18.0	100.0	175	1.5/1.0	-2.0	80	7-AA05A
	TIM7179-45SL	10	9.0	46.0	46.5	5.5	6.5	9.6	10.8	±0.8	36		-42	-45	35.5	100	15	-5	20.0	125.0	175	1.2/0.8	-2.5	170	2-16G1B
	TIM7179-60SL	10	9.5	47.0	48.0	5.5	6.5	13.2	15.0	±0.8	37		-42	-45	36.5	100	15	-5	20.0	187.5	175	0.8/0.6	-1.8	200	2-16G1B
7.7-8.5	TIM7785-4UL	10	0.9	35.5	36.5	7.5	8.5	1.1	1.3	±0.6	35		-44	-47	25.5	80	15	-5	3.5	25.0	175	6.0/4.5	-2.5	15	2-11D1B
	TIM7785-6UL	10	1.3	37.5	38.5	7.5	8.5	1.6	1.9	±0.6	38		-44	-47	27.5	80	15	-5	5.0	32.6	175	4.6/3.8	-2.5	20	2-11D1B
	TIM7785-8UL	10	1.8	38.5	39.5	7.5	8.5	2.2	2.6	±0.6	35		-44	-47	28.5	80	15	-5	7.0	42.9	175	3.5/2.5	-2.5	30	2-11D1B
	TIM7785-12UL	10	2.6	40.5	41.5	7.5	8.5	3.2	3.8	±0.6	38		-44	-47	30.5	80	15	-5	10.0	62.5	175	2.4/2.0	-2.5	40	2-16G1B
	TIM7785-16UL	10	3.6	41.5	42.5	7.5	8.5	4.4	5.0	±0.6	35		-44	-47	31.5	80	15	-5	14.0	83.3	175	1.8/1.5	-2.5	60	2-16G1B
	TIM7785-25UL	10	5.2	43.5	44.5	7.5	8.5	6.8	7.6	±0.6	36		-44	-47	33.5	80	15	-5	20.0	100.0	175	1.5/1.2	-2.5	80	2-16G1B
	TIM7785-30UL	10	6.4	44.0	45.0	7.5	8.5	7.0	8.0	±0.6	39		-44	-47	34.0	100	15	-5	18.0	100.0	175	1.5/1.0	-2.0	80	7-AA05A
	TIM7785-35SL	10	8.0	45.0	45.5	5.0	6.0	8.0	9.0	±0.8	33		-42	-45	35.0	100	15	-5	20.0	115.4	175	1.3/1.0	-2.5	140	2-16G1B
	TIM7785-45SL	10	9.0	46.0	46.5	5.0	6.0	9.6	10.8	±0.8	35		-42	-45	35.5	100	15	-5	20.0	125.0	175	1.2/0.8	-2.5	170	2-16G1B
TIM7785-60SL	10	9.5	47.0	48.0	5.0	6.0	13.2	15.0	±0.8	36		-42	-45	36.5	100	15	-5	20.0	187.5	175	0.8/0.6	-1.8	200	2-16G1B	
TIM7785-60ULA	10	9.5	47.0	48.0	6.5	7.5	14.5	16.0	±0.8	36		-25	-30	41.0	100	15	-5	20.0	150.0	175	1.0/0.8	-1.8	120	7-AA09A	

*: ΔTch = Channel Temperature Rise, Formula: : ΔTch = (V_{DS} × I_{DS} + P_{in} - P_{1dB}) × R_{th(C-C)}; **: Gain Flatness

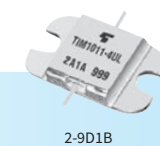


X and Ku-band Internally Matched Power GaAs FETs (1/2)

(Ta = 25 °C)

FREQUENCY BAND (GHz)	MODEL No.	BIAS CONDITIONS		RF PERFORMANCE SPECIFICATIONS										ABSOLUTE MAXIMUM RATINGS					ELECTRICAL CHARACTERISTICS (TYP.)			PACKAGE CODE		
		V _{DS} (V)	I _{DSset} (A)	P _{1dB} (dBm)		G _{1dB} (dB)		I _{DS} (A)		ΔG** (dB)	η _{add} (%)	IM ₃ (dBc)		ΔTch* (°C)	V _{DS} (V)	V _{GS} (V)	I _{DS} (A)	P _T (W) (Tc = 25 °C)	Tch (°C)	R _{th} (C-C) MAX./TYP. (°C/W)	V _{GSoff} (V)		I _{DS} (mA) @V _{DS} = 3V	
				MIN.	TYP.	MIN.	TYP.	TYP.	MAX.			MAX.	TYP.											MIN.
8.5-9.6	TIM8596-2	9	1.0	32.5	33.5	6.5	7.5	0.85	1.1	—	24	—	—	—	60	15	-5	2.6	25.0	175	6.0/5.0	-3.5	30	2-9D1B
	TIM8596-4	9	2.0	35.5	36.5	6.5	7.5	1.7	2.2	—	24	—	—	—	70	15	-5	5.2	42.8	175	3.5/2.9	-3.5	60	2-9D1B
	TIM8596-8	9	4.0	38.5	39.5	5.0	6.0	3.4	4.4	—	22	—	—	—	80	15	-5	10.4	60.0	175	2.5/1.6	-3.5	120	2-11C1B
	TIM8596-15	9	4.0	41.0	42.0	6.0	7.0	4.5	5.5	—	31	—	—	—	100	15	-5	11.5	60.0	175	2.5/2.0	-3.0	145	2-11C1B
8.9-9.6	TIM8996-30	10	7.0	44.0	45.0	6.0	7.0	10.0	11.5	—	25	—	—	—	100	15	-5	20.0	136.0	175	1.1/1.0	-2.0	290	7-AA03B
9.5-10.5	TIM0910-2	9	1.0	32.5	33.5	6.5	7.5	0.85	1.1	—	24	—	—	—	60	15	-5	2.6	25.0	175	6.0/5.0	-3.5	30	2-9D1B
	TIM0910-4	9	2.0	35.5	36.5	6.5	7.5	1.7	2.2	—	24	—	—	—	70	15	-5	5.2	42.8	175	3.5/2.9	-3.5	60	2-9D1B
	TIM0910-5	9	2.0	37.0	37.5	6.0	7.0	2.0	2.5	—	25	—	—	—	80	15	-5	5.7	40.5	175	3.7/3.0	-3.0	72	2-9D1B
	TIM0910-8	9	4.0	38.5	39.5	5.0	6.0	3.4	4.4	—	22	—	—	—	80	15	-5	10.4	60.0	175	2.5/1.6	-3.5	120	2-11C1B
	TIM0910-15L	9	4.0	41.0	42.0	6.0	7.0	4.5	5.5	±0.8	31	-42	-45	30.0	100	15	-5	11.5	60.0	175	2.5/2.0	-3.0	145	2-11C1B
	TIM0910-30L	10	7.0	44.0	45.0	6.0	7.0	10.0	11.5	±0.8	25	-25	—	38.0	100	15	-5	20.0	136.0	175	1.1/1.0	-2.0	290	7-AA03B
10.7-11.7	TIM1011-4UL	10	1.0	35.5	36.5	8.5	9.5	1.1	1.6	±0.8	36	-42	-45	24.0	60	15	-5	3.3	34.1	175	4.4/3.8	-2.0	40	2-9D1B
	TIM1011-5L	9	2.0	37.0	37.5	6.0	7.0	2.0	2.5	±0.8	25	-42	-45	26.0	80	15	-5	5.7	40.5	175	3.7/3.0	-3.0	72	2-9D1B
	TIM1011-8UL	10	2.0	38.5	39.5	8.0	9.0	2.0	2.5	±0.8	39	-42	-45	27.0	80	15	-5	5.7	40.5	175	3.7/3.0	-2.0	72	2-9D1B
	TIM1011-8ULA	10	2.0	38.5	39.5	8.0	9.0	2.0	2.5	±0.8	39	-42	-45	27.0	80	15	-5	5.7	40.5	175	3.7/3.0	-2.0	72	2-11C1B
	TIM1011-15L	9	4.0	41.0	42.0	6.0	7.0	4.5	5.5	±0.8	31	-42	-45	30.0	100	15	-5	11.5	60.0	175	2.5/2.0	-3.0	145	2-11C1B
11.7-12.7	TIM1112-4UL	10	1.0	35.5	36.5	8.5	9.5	1.1	1.6	±0.8	36	-42	-45	24.0	60	15	-5	3.3	34.1	175	4.4/3.8	-2.0	40	2-9D1B
	TIM1112-8	9	4.0	38.5	39.5	4.0	5.0	3.4	4.4	—	20	—	—	—	80	15	-5	10.4	60.0	175	2.5/1.6	-3.5	120	2-11C1B
	TIM1112-15L	9	4.0	41.0	42.0	5.0	6.0	4.5	5.5	±0.8	29	-42	-45	30.0	100	15	-5	11.5	60.0	175	2.5/2.0	-3.0	145	2-11C1B
12.7-13.2	TIM1213-2L	9	1.0	32.5	33.5	6.5	7.5	0.85	1.1	±0.8	24	-42	-45	22.0	60	15	-5	2.6	25.0	175	6.0/5.0	-3.5	30	2-9D1B
	TIM1213-4L	9	2.0	35.5	36.5	6.5	7.5	1.7	2.2	±0.8	24	-42	-45	25.0	70	15	-5	3.3	42.8	175	3.5/2.9	-3.5	60	2-9D1B
	TIM1213-8UL	10	2.0	38.5	39.0	7.0	8.0	2.0	2.5	±0.8	33	-42	-45	27.0	80	15	-5	5.7	40.5	175	3.7/3.0	-2.0	72	2-9D1B
	TIM1213-8ULA	10	2.0	38.5	39.0	7.0	8.0	2.0	2.5	±0.8	33	-42	-45	27.0	80	15	-5	5.7	40.5	175	3.7/3.0	-2.0	72	2-11C1B
	TIM1213-10L	9	4.0	40.0	40.5	5.0	6.0	4.0	5.0	±0.8	23	-42	-45	29.0	90	15	-5	11.5	60.0	175	2.5/2.0	-3.0	145	2-11C1B
	TIM1213-15L	9	4.0	41.0	42.0	5.0	6.0	4.5	5.5	±0.8	29	-42	-45	30.0	100	15	-5	11.5	60.0	175	2.5/2.0	-3.0	145	2-11C1B
	TIM1213-18L	10	4.4	42.0	42.5	5.0	6.0	5.5	6.0	±0.8	28	-25	-28	36.0	100	15	-5	11.5	65.0	175	2.3/1.8	-2.8	145	2-11C1B
TIM1213-30L	10	7.0	44.0	45.0	4.5	5.5	10.0	11.0	±0.8	23	-25	-28	38.0	100	15	-5	20.0	136.0	175	1.1/1.0	-2.0	290	7-AA03B	

* : ΔTch = Channel Temperature Rise, Formula: ΔTch = (V_{DS} × I_{DS} + P_{in} - P_{1dB}) × R_{th(C-C)}, ** : Gain Flatness



2-9D1B



2-11C1B



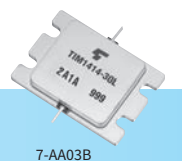
7-AA03B

X and Ku-band Internally Matched Power GaAs FETs (2/2)

(Ta = 25 °C)

FREQUENCY BAND (GHz)	MODEL No.	BIAS CONDITIONS		RF PERFORMANCE SPECIFICATIONS										ABSOLUTE MAXIMUM RATINGS					ELECTRICAL CHARACTERISTICS (TYP.)			PACKAGE CODE				
		V _{DS} (V)	I _{DS} set (A)	P _{1dB} (dBm)		G _{1dB} (dB)		I _{DS} (A)		ΔG** (dB)	η _{add} (%)	IM ₃ (dBc)		ΔTch* (°C)	V _{DS} (V)	V _{GS} (V)	I _{DS} (A)	P _T (W) (Tc = 25 °C)	Tch (°C)	R _{th} (C-C) MAX./TYP. (°C/W)	V _{GSoff} (V)		I _{DS} (mA) @V _{DS} = 3 V			
				MIN.	TYP.	MIN.	TYP.	TYP.	MAX.			MAX.	TYP.											MIN.	TYP.	P _o @single carrier level (dBm)
14.0-14.5	TIM1414-2L	9	1.0	32.5	33.5	5.5	6.5	0.85	1.1	±0.8	23			-42	-45	22.0	60	15	-5	2.6	25.0	175	6.0/5.0	-3.5	30	2-9D1B
	TIM1414-5L	9	2.0	37.0	37.5	5.0	6.0	2.0	2.5	±0.8	23			-42	-45	26.0	80	15	-5	5.7	40.5	175	3.7/3.0	-3.0	72	2-9D1B
	TIM1414-7	9	2.0	37.5	38.5	5.5	6.5	2.25	2.75	—	27			—	—	—	80	15	-5	5.7	40.5	175	3.7/3.0	-3.0	72	2-9D1B
	TIM1414-15L	9	4.0	41.0	42.0	5.0	6.0	4.5	5.5	±0.8	29			-42	-45	30.0	100	15	-5	11.5	60.0	175	2.5/2.0	-3.0	145	2-11C1B
	TIM1414-18L	9	4.4	42.0	42.5	5.0	6.0	5.5	6.0	±0.8	28			-25	—	36.0	100	15	-5	11.5	65.0	175	2.3/1.8	-2.8	145	2-11C1B
13.75-14.5	TIM1314-4UL	10	1.0	35.5	36.5	7.0	8.0	1.1	1.6	—	34			-42	-45	23.0	60	15	-5	3.3	34.1	175	4.4/3.8	-2.0	40	2-9D1B
	TIM1414-7-252	9	2.0	37.0	38.0	5.0	6.0	2.25	2.75	—	23			—	—	—	80	15	-5	5.7	40.5	175	3.7/3.0	-3.0	72	2-9D1B
	TIM1314-8UL	10	2.0	38.5	39.0	6.0	7.0	2.0	2.5	±0.8	32			-42	-45	27.0	80	15	-5	5.7	40.5	175	3.7/3.0	-2.0	72	2-9D1B
	TIM1314-9L	9	2.2	39.0	39.5	5.0	6.0	2.8	3.0	—	26			-25	—	33.0	80	15	-5	5.7	30.0	175	3.7/3.0	-2.0	72	2-9D1B
	TIM1314-15ULA	10	4.0	41.0	42.0	6.0	7.0	4.4	5.0	±0.8	32			-42	-45	30.0	80	15	-5	12.5	60.0	175	2.5/2.0	-2.0	160	2-11C1B
	TIM1414-18L-252	9	4.4	41.5	42.0	5.0	6.0	5.5	6.0	—	24			-25	—	36.0	100	15	-5	11.5	65.0	175	2.3/1.8	-2.8	145	2-11C1B
	TIM1314-30L	10	7.0	44.0	45.0	4.0	5.0	10.0	11.0	—	22			-25	—	38.0	100	15	-5	20.0	136.0	175	1.1/1.0	-2.0	290	7-AA03B

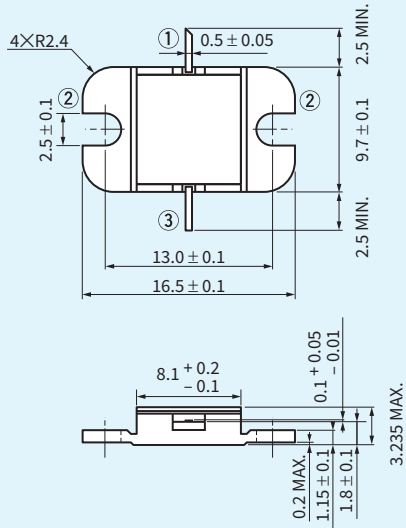
* : ΔTch = Channel Temperature Rise, Formula: ΔTch = (V_{DS} × I_{DS} + P_{in} - P_{1dB}) × R_{th}(C-C), ** : Gain Flatness



Package Code and Outlines

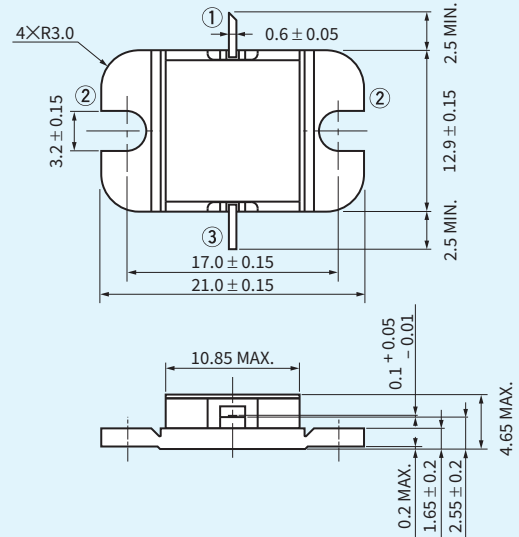
Unit in mm

2-9D1B



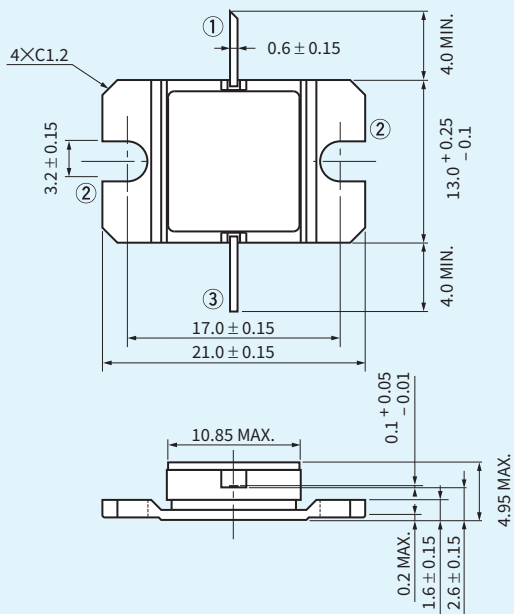
- ① Gate
- ② Source
- ③ Drain

2-11C1B



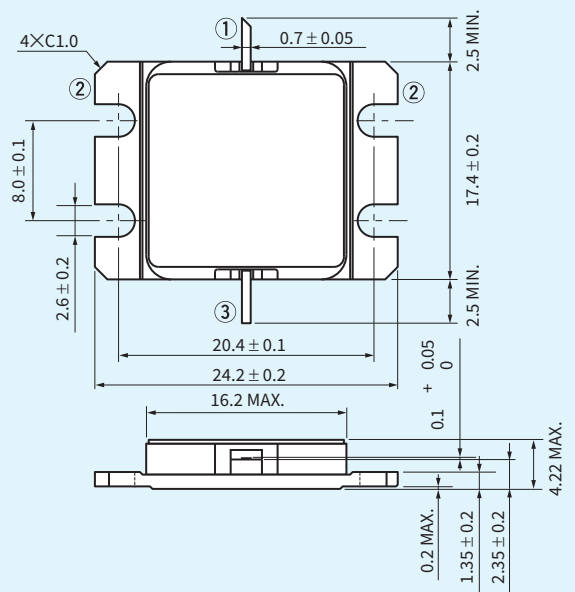
- ① Gate
- ② Source
- ③ Drain

2-11D1B



- ① Gate
- ② Source
- ③ Drain

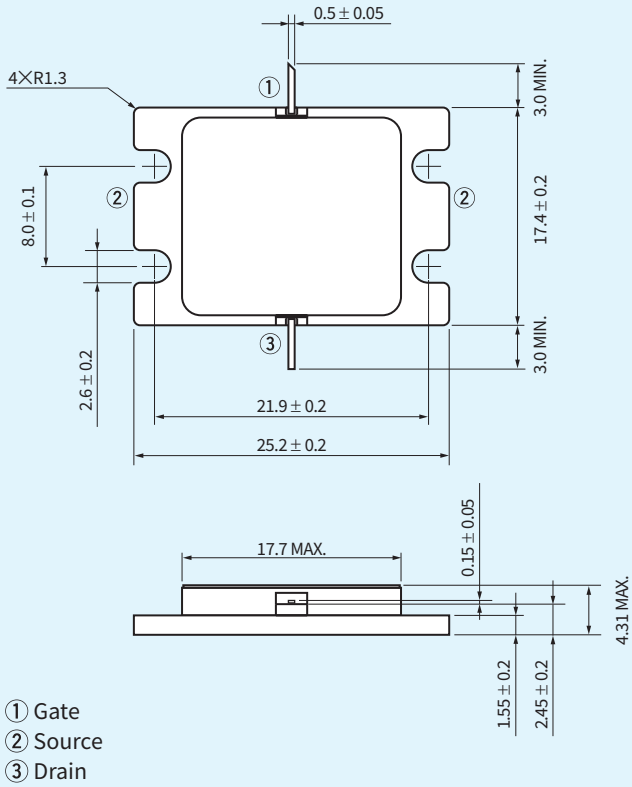
2-16G1B



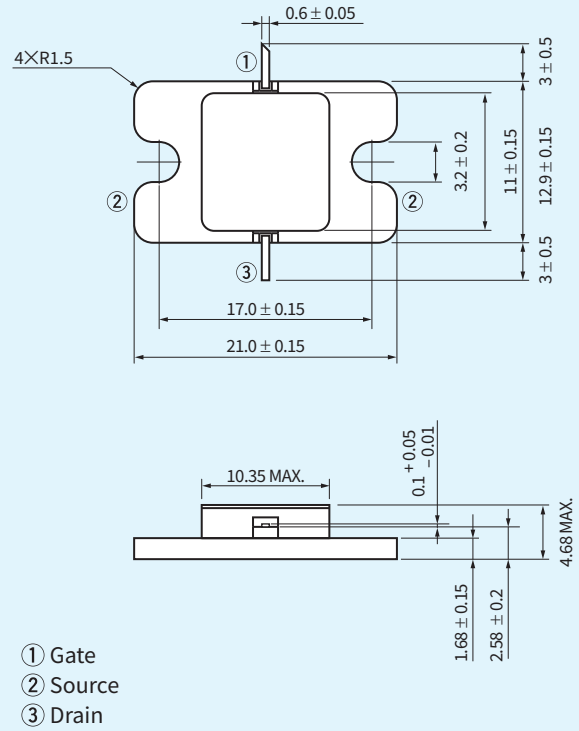
- ① Gate
- ② Source
- ③ Drain

Unit in mm

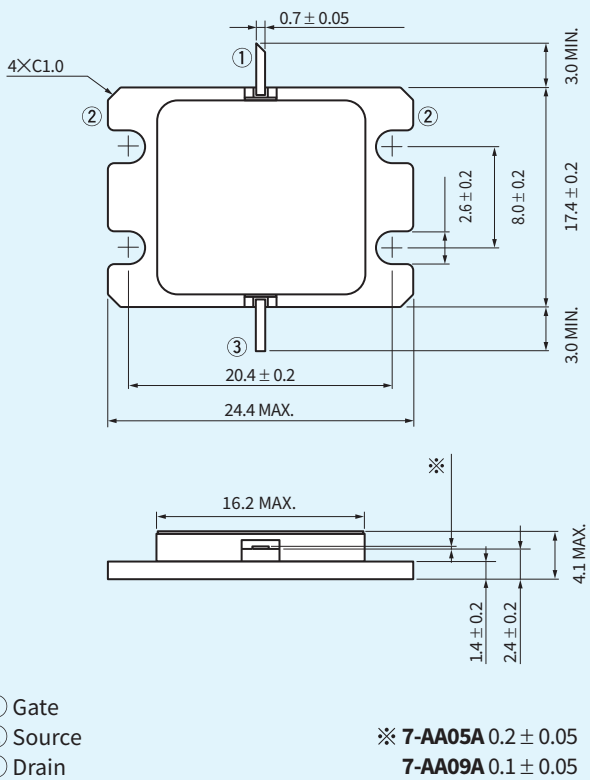
7-AA03B



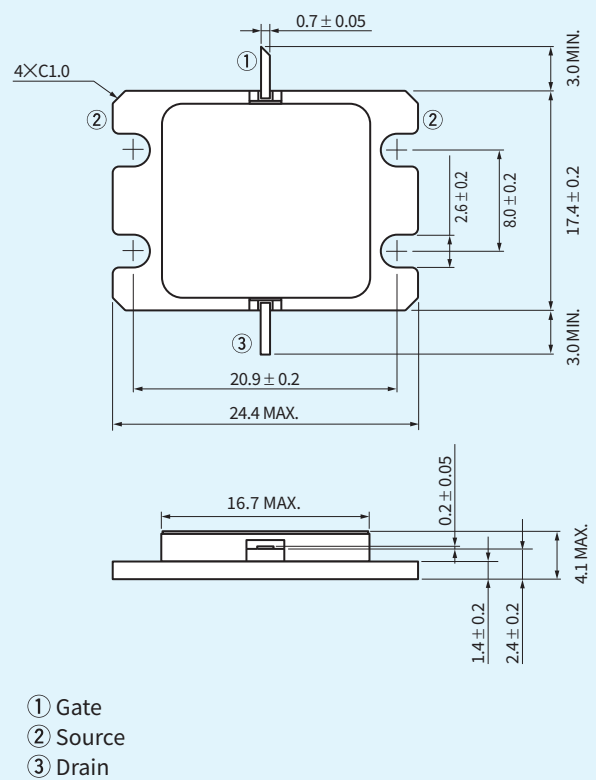
7-AA04A/7-AA07A



7-AA05A/7-AA09A



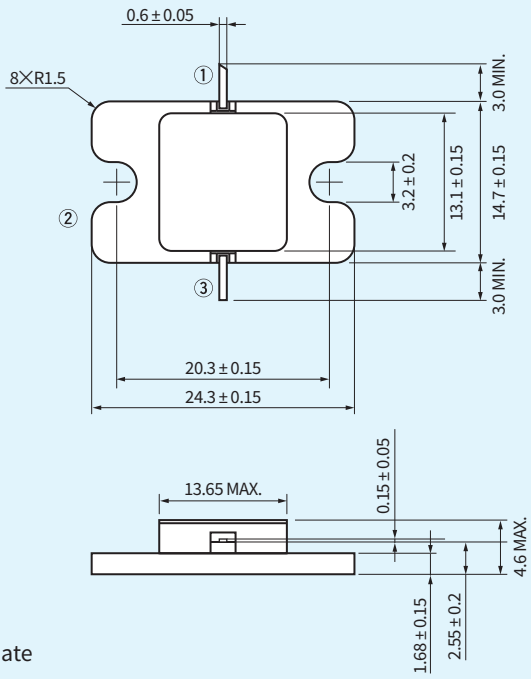
7-AA06A



Package Code and Outlines

Unit in mm

7-AA13A



- ①: Gate
- ②: Source
- ③: Drain

Note

A series of horizontal dotted lines for writing notes.

**Toshiba America
Electronic Components, Inc.**

- Irvine, Headquarters
Tel: +1 949-509-4200

Toshiba Electronics Europe GmbH

- Düsseldorf Head Office
Tel: +49 (0) 211 52960

**Toshiba Electronics Asia
(Singapore) Pte. Ltd.**

Tel: +65 62785252

Toshiba Electronics Korea Corporation

Tel: +82 2 3484-4334

Toshiba Devices & Storage (Shanghai) Co., Ltd.

- Shanghai Head Office
Tel: +86 (21) 6090-0610 Ext. 6823
- Shenzhen Branch
Tel: +86 (755) 3661-5889 Ext. 8861

- ▶ The information contained herein is as of April 1, 2023.
- ▶ Toshiba Infrastructure Systems & Solutions Corporation, Toshiba Electronic Devices & Storage Corporation, and their subsidiaries and affiliates (collectively "TOSHIBA"), reserve the right to make changes to the information in this document, including without limitation those for the hardware, software and systems listed in this document (collectively "Product") without notice.
- ▶ This document and any information herein may not be reproduced without prior written permission from TOSHIBA. Even with TOSHIBA's written permission, reproduction is permissible only if reproduction is without alteration/omission.
- ▶ Though TOSHIBA works continually to improve Product's quality and reliability, Product can malfunction or fail. Customers are responsible for complying with safety standards and for providing adequate designs and safeguards for their hardware, software and systems which minimize risk and avoid situations in which a malfunction or failure of Product could cause loss of human life, bodily injury or damage to property, including data loss or corruption. Before creating and producing designs and using, customers must also refer to and comply with (a) the latest versions of all relevant TOSHIBA information, including without limitation, this document, the specifications, the data sheets and application notes for Product and the precautions and conditions set forth therein and (b) the instructions for the application that Product will be used with or for. Customers are solely responsible for all aspects of their own product design or applications, including but not limited to (a) determining the appropriateness of the use of this Product in such design or applications; (b) evaluating and determining the applicability of any information contained in this document, or in charts, diagrams, programs, algorithms, sample application circuits, or any other referenced documents; and (c) validating all operating parameters for such designs and applications. **TOSHIBA ASSUMES NO LIABILITY FOR CUSTOMERS' PRODUCT DESIGN OR APPLICATIONS.**
- ▶ Product is intended for use in communications equipment (including Radar) on the ground. Product is neither intended nor warranted for use in equipment or systems that require extraordinarily high levels of quality and/or reliability, and/or a malfunction or failure of which may cause loss of human life, bodily injury, serious property damage or serious public impact ("Unintended Use"). Unintended Use includes, without limitation, equipment used in nuclear facilities, equipment used in the aircraft and space equipment, medical equipment, equipment used for automobiles, trains, ships and other transportation, traffic signaling equipment, equipment used to control combustions or explosions, safety devices, elevators and escalators, devices related to electric power, and equipment used in finance-related fields. If you are considering using the Product in such situation, please contact us in advance.
- ▶ Do not disassemble, analyze, reverse-engineer, alter, modify, translate or copy Product, whether in whole or in part.
- ▶ Product shall not be used for or incorporated into any products or systems whose manufacture, use, or sale is prohibited under any applicable laws or regulations.
- ▶ The information contained herein is presented only as guidance for Product use. No responsibility is assumed by TOSHIBA for any infringement of patents or any other intellectual property rights of third parties that may result from the use of Product. No license to any intellectual property right is granted by this document, whether express or implied, by estoppel or otherwise.
- ▶ **ABSENT A WRITTEN SIGNED AGREEMENT, EXCEPT AS PROVIDED IN THE RELEVANT TERMS AND CONDITIONS OF SALE FOR PRODUCT, AND TO THE MAXIMUM EXTENT ALLOWABLE BY LAW, TOSHIBA (1) ASSUMES NO LIABILITY WHATSOEVER, INCLUDING WITHOUT LIMITATION, INDIRECT, CONSEQUENTIAL, SPECIAL, OR INCIDENTAL DAMAGES OR LOSS, INCLUDING WITHOUT LIMITATION, LOSS OF PROFITS, LOSS OF OPPORTUNITIES, BUSINESS INTERRUPTION AND LOSS OF DATA, AND (2) DISCLAIMS ANY AND ALL EXPRESS OR IMPLIED WARRANTIES AND CONDITIONS RELATED TO SALE, USE OF PRODUCT, OR INFORMATION, INCLUDING WARRANTIES OR CONDITIONS OF MERCHANTABILITY, FITNESS FOR A PARTICULAR PURPOSE, ACCURACY OF INFORMATION, OR NON-INFRINGEMENT.**
- ▶ Product may include products using GaAs (Gallium Arsenide). GaAs is harmful to humans if consumed or absorbed, whether in the form of dust or vapor. Handle with care and do not break, cut, crush, grind, dissolve chemically or otherwise expose GaAs in Product.
- ▶ **Do not use or otherwise make available Product or related software or technology for any military purposes, including without limitation, for the design, development, use, stockpiling or manufacturing of nuclear, chemical, or biological weapons or missile technology products (mass destruction weapons). Product and related software and technology may be controlled under the Japanese Foreign Exchange and Foreign Trade Law and the U.S. Export Administration Regulations. Export and re-export of Product or related software or technology are strictly prohibited except in compliance with all applicable export laws and regulations.**
- ▶ All Products fully comply with RoHS. Please contact your TOSHIBA sales representative for details as to environmental matters. Please use Product in compliance with all applicable laws and regulations that regulate the inclusion or use of controlled substances, including without limitation, the EU RoHS Directive. TOSHIBA assumes no liability for damages or losses occurring as a result of noncompliance with applicable laws and regulations.
- ▶ Imitation Products are being sold and distributed in some areas. Please purchase genuine TOSHIBA products through proper channels. TOSHIBA does not take any responsibility for any damage arising out of the use of imitation products.

©2023 Toshiba Infrastructure Systems & Solutions Corporation

Previous edition: MSE-2022
2023-3(0.3k)

TOSHIBA

Toshiba Infrastructure Systems & Solutions Corporation

Website: <http://microwave.toshiba.co.jp/>



MSE-2023