

## New products launched from GR-200 series

### Digital Substation + Powerful MV Feeder Protection Relay

#### Features / Overview

#### ■ GR-200 IEDs with Process Bus

**[IEDs with Process Bus communication]**

- IEC 61850-9-2 and IEC 62439-3 PRP/HSR

**[Merging Unit: GMU200]**

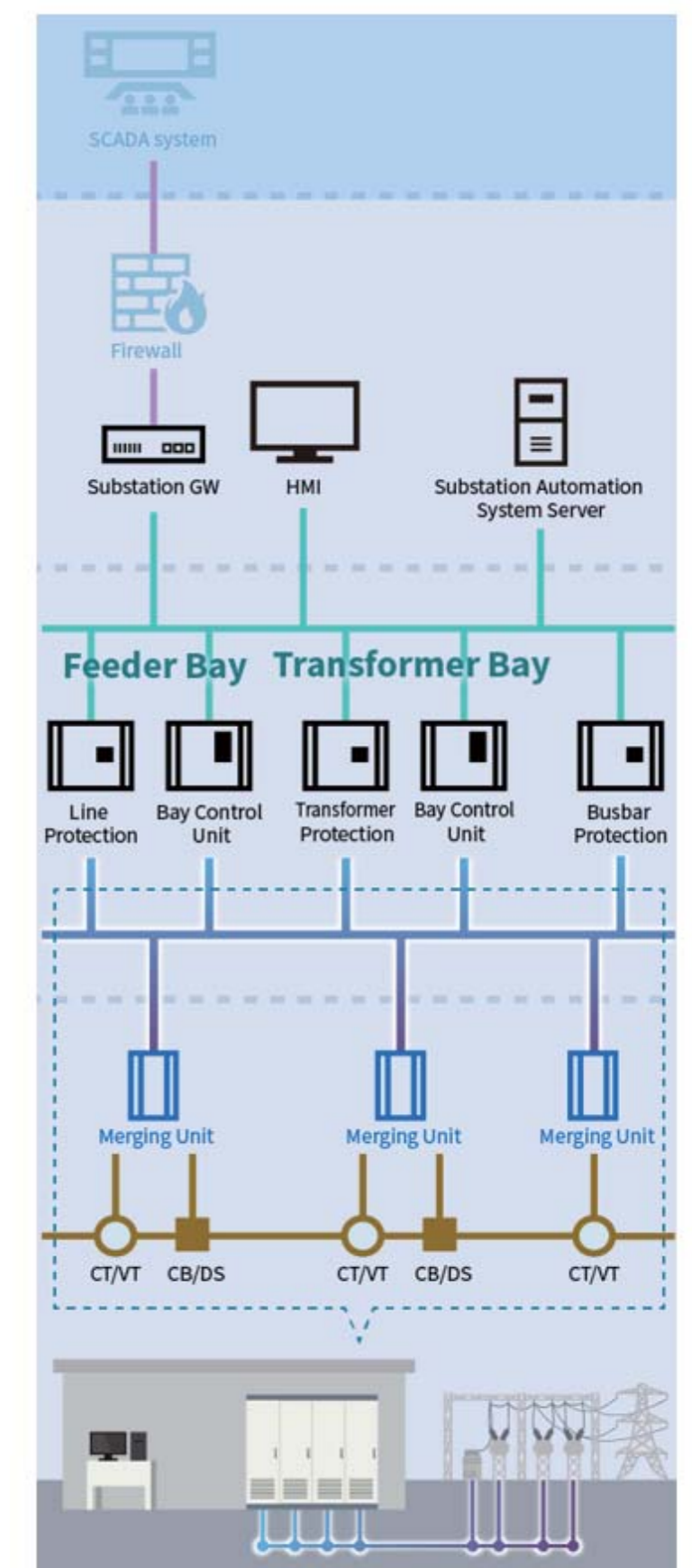
- Sample Value publishing (IEC 61869-9, IEC 61850-9-2)
- GOOSE communication (IEC 61850-8-1, IEC 61850-7-500)
- 4,800/5,760Hz sampling rate
- 4 x current channels and 4 x voltage channels
- Binary inputs and outputs
- Time synchronization IEEE 1588
- Backup protection function (optional)
- LCD display on front panel (optional)
- Cybersecurity



IED



Merging Unit



#### ■ GRE200 Multi-function Protection and Control Device and GRW200 Line Differential Protection

**[GRE200]**

- Feeder protection with multiple high-accuracy directional overcurrent protection elements
- Comprehensive backup protection such as thermal overload, under/overvoltage, under/over frequency, circuit breaker failure and motor protections

**[GRW200]**

- High accuracy, phase-segregated line differential protection over direct fiber or pilot-wire communication channels
- Integrated overcurrent guard scheme, magnetizing inrush detection and communication channel monitoring

**[Common]**

- Communications within substation automation systems IEC 61850-8-1 [Station bus], Modbus and Ethernet redundancy protocols IEC62439-3 PRP/HSR.



GRE200

