

---

## Power electric supervisory control

---

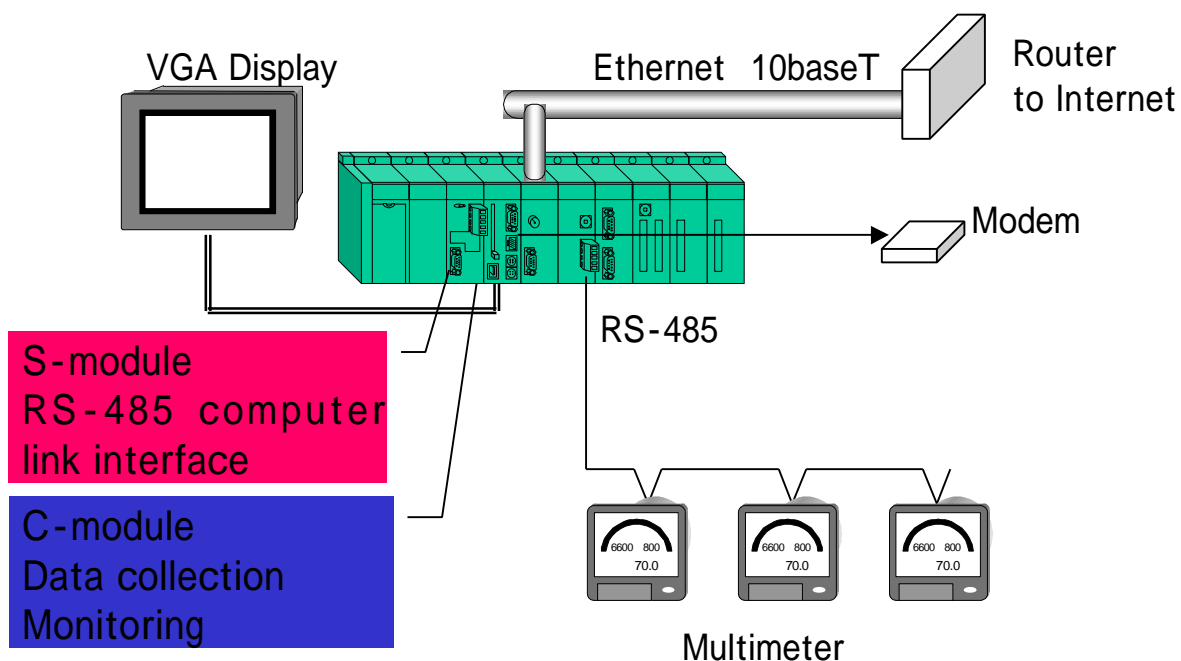
### ◆ System Overview

For the supervisory control system of electric power, it is increasing that transducer with the communication function and a multi-meter are connected to the general-purpose personal computer

The V-series model 2000 is applied to this system. At S-module ,communication with the multi-meter, data collection are done , and at C-module ,the preservation of the collection data, the preparation such as a daily report, monthly report are done.

C-module connected display monitors data and transmits the report periodically to the central control station through Internet and modem.

### ◆ System Configuration



### ◆ Features

- (1) Installed DDE(Dynamic Data Exchange) server software in C-module, we can easily use excel software and copy the data to excel sheet.
- (2) The Station Global variables enable the closed combination between C-module and S-module.
- (3) V-series realizes flexible total system configuration with openness and reliability.